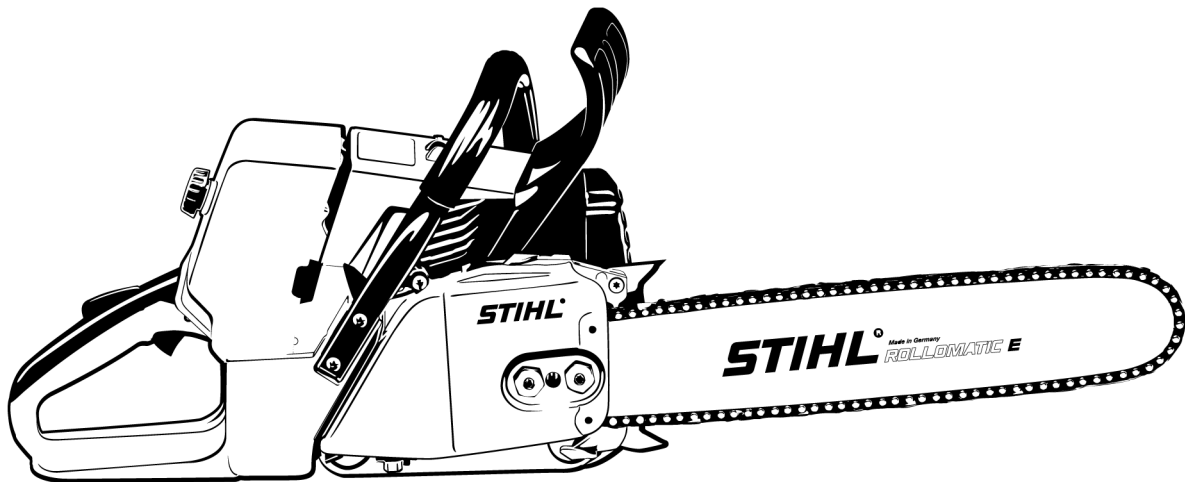


**STIHL**<sup>®</sup>

# Chain Saw Safety Manual





# Contents

Safety Precautions and Working Techniques	2
Maintenance and Care	14
Main Parts	16

This manual contains the safety precautions and recommended cutting techniques outlined in the instruction manuals for STIHL chain saws.

The chapter on "Main Parts of the Saw" shows the MS 211 as an example. Other chain saw models may have different parts and controls.

This manual contains references to various chapters in the model-specific instruction manuals.

You should therefore always refer to the instruction manual of your particular saw model.

Please contact your STIHL dealer if you have any questions after reading this manual.



This instruction manual is protected by copyright. All rights reserved, especially the rights to reproduce, translate and process with electronic systems.

## Safety Precautions and Working Techniques



Because a chain saw is a high-speed wood-cutting tool with very sharp cutters, some special safety precautions must be observed in addition to those that generally apply when working with an axe or hand saw.



It is important you read and understand the instruction manual before using your power tool for the first time and keep the manual in a safe place for future reference. Non-observance of the safety precautions may result in serious or even fatal injury.

Observe all applicable local safety regulations, standards and ordinances.

If you have not used this type of power tool before: Have your dealer or other experienced user show you how to operate your power tool or attend a special course in its operation.

Minors should never be allowed to use a power tool.

Keep bystanders, especially children, and animals away from the work area.

When the power tool is not in use, shut it off so that it does not endanger others. Secure it against unauthorized use.

The user is responsible for avoiding injury to third parties or damage to their property.

Do not lend or rent your power tool without the instruction manual. Be sure that anyone using it understands the information contained in this manual.

The use of noise emitting power tools may be restricted to certain times by national or local regulations.

To operate the power tool you must be rested, in good physical condition and mental health. If you have any condition that might be aggravated by strenuous work, check with your doctor before operating a power tool.

Persons with pacemakers only: The ignition system of your power tool produces an electromagnetic field of a very low intensity. This field may interfere with some pacemakers. To reduce health risks, STIHL recommends that persons with pacemakers consult their physician and the pacemaker manufacturer before operating this tool.

Do not operate the power tool if you are under the influence of any substance (drugs, alcohol) which might impair vision, dexterity or judgment.

**To reduce the risk of accidents or injury,** put off the work in poor weather conditions (rain, snow, ice, wind).

Use your saw for cutting wood or wooden objects only.

Do not use your power tool for any other purpose since **this may result in accidents.**

Only use tools, guide bars, chains, chain sprockets and accessories that are explicitly approved for this power tool model by STIHL or are technically identical. If you have any questions in this respect, consult a servicing dealer.

Use only high quality parts and accessories in order to avoid the risk of accidents and damage to the machine.

STIHL recommends the use of STIHL original tools, guide bars, chains, chain sprockets and accessories. They are specifically designed to match your model and meet your performance requirements.

Never attempt to modify your power tool in any way since this may increase the risk of personal injury. STIHL excludes all liability for personal injury and damage to property caused while using unauthorized attachments.

Do not use a pressure washer to clean the unit. The solid jet of water may damage parts of the unit.

### Clothing and Equipment

Wear proper protective clothing and equipment.



Clothing must be sturdy but allow complete freedom of movement. Wear snug-fitting clothing with **cut retardant inserts** – an overall and jacket combination, do not wear a work coat.

Avoid clothing that could get caught on branches or brush or moving parts of the machine. Do not wear a scarf, necktie or jewelry. Tie up and confine long hair (e.g. with a hair net, cap, hard hat, etc.).



Wear steel-toed **safety boots** with cut retardant inserts and non-slip soles.



Wear a **safety hard hat** where there is a danger of head injuries from falling objects.

Wear **safety glasses** or a **face shield** and **hearing protection** e.g. earplugs or ear muffs.



Wear **heavy-duty gloves**.

STIHL offers a comprehensive range of personal protective clothing and equipment.

### Transporting the Chain Saw

Always engage the chain brake and fit the chain guard (scabbard) before carrying the saw short distances. Also stop the engine before carrying the saw longer distances (more than about 50 m).

Always carry the saw by the front handle (handlebar) – with the hot muffler away from your body – the guide bar must point to the rear. To **avoid serious burn injuries**, avoid touching hot parts of the machine, especially the surface of the muffler.

Transporting in a vehicle: Properly secure your power tool to prevent turnover, fuel spillage and damage.

### Fueling



**Gasoline is an extremely flammable fuel.** Keep clear of naked flames. Do not spill any fuel – do not smoke.

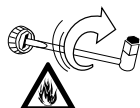
Always shut off the engine before refueling.

Do not fuel a hot engine – **fuel may spill and cause a fire.**

Open the fuel cap carefully to allow any pressure build-up in the tank to release slowly and avoid fuel spillage.

Fuel your power tool only in well-ventilated areas. If you spill fuel, wipe the machine immediately – if fuel gets on your clothing, change immediately.

Your power tool comes standard with either a screw-type or bayonet-type fuel cap.



After fueling, tighten down the screw-type fuel cap as securely as possible.



Insert the fuel cap with hinged grip (bayonet-type cap) correctly in the opening, turn it clockwise as far as stop and fold the grip down.

This reduces the risk of unit vibrations causing the fuel cap to loosen or come off and spill quantities of fuel.

### Before starting

Check that your power tool is properly assembled and in good condition – refer to appropriate chapters in the instruction manual.

- Check operation of chain brake, front hand guard
- Correctly mounted guide bar
- Correctly tensioned chain
- Smooth action of throttle trigger and throttle trigger interlock – throttle trigger must return automatically to idle position.
- Master Control lever / stop switch must move easily to **STOP** or **0**
- Check that the spark plug boot is secure – a loose boot may cause arcing that could ignite combustible fumes **and cause a fire.**
- Never attempt to modify the controls or the safety devices in any way.
- Keep the handles dry and clean – free from oil and pitch – for safe control of the chain saw.

**To reduce the risk of personal injury**, do not operate your saw if it is damaged or not properly assembled.

### Starting the engine

Start the engine at least 3 meters from the fueling spot, outdoors only.

Place the unit on firm ground in an open area. Make sure you have good balance and secure footing. Hold the unit securely. The cutting attachment must

be clear of the ground and all other obstructions because it may begin to run when the engine starts.

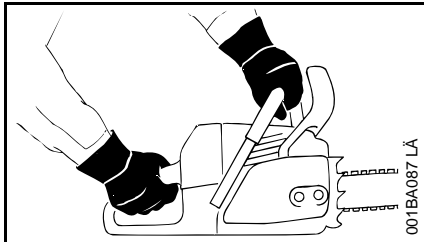
Your chain saw is designed to be operated by one person only. Do not allow other persons in the work area – even when starting.

**To reduce risk of chain rotation and personal injury**, lock the chain with the chain brake before starting.

Do not drop start your machine – the correct starting procedure is described in the instruction manual.

Do not attempt to start the saw when the saw chain is in a cut.

### Holding and Controlling the Power Tool



Always **hold your saw firmly with both hands**: Right hand on the rear handle, even if you are left-handed. To ensure safe control, wrap your fingers tightly around the front and rear handles.

### During Operation

Make sure you always have good balance and secure footing.

In the event of impending danger or in an emergency, switch off the engine immediately by moving the Master Control lever / stop switch to **STOP** or **0**.

Your power tool is designed to be operated by one person only. Do not allow other persons in the work area.

Never leave a running machine unattended.

When the engine is running: Note that the chain continues to rotate for a short period after you let go of the throttle trigger (flywheel effect).

Take special care in slippery conditions – damp, snow, ice, on slopes, uneven ground and freshly debarked logs.

Watch out for obstacles such as tree stumps, roots and ditches which could cause you to trip or stumble.

Do not work alone – keep within calling distance of others in case help is needed.

Be particularly alert and cautious when wearing hearing protection because your ability to hear warnings (shouts, alarms, etc.) is restricted.

**To reduce the risk of accidents**, take a break in good time to avoid tiredness or exhaustion.

**To reduce risk of fire**, keep hot exhaust gases and hot muffler away from easily combustible materials (e.g. wood chips, bark, dry grass, fuel). Mufflers with a catalytic converter can become particularly hot.



Your power tool produces toxic exhaust fumes as soon as the engine is running. These fumes may be colorless and odorless and contain unburned hydrocarbons and benzol. Never run the engine indoors or in poorly ventilated locations, even if your model is equipped with a catalytic converter.

To reduce the risk of serious or fatal injury from breathing toxic fumes, ensure proper ventilation when working in trenches, hollows or other confined locations.

**To reduce the risk of accidents**, stop work immediately in the event of nausea, headache, visual disturbances (e.g. reduced field of vision), problems with hearing, dizziness, deterioration in ability to concentrate. Apart from other possibilities, these symptoms may be caused by an excessively high concentration of exhaust gases in the work area.

The dusts (e.g. sawdust), vapor and smoke produced during operation may be dangerous to health. If dust levels are very high, wear a suitable respirator.

Check the saw chain at regular short intervals during operation or immediately if there is a noticeable change in cutting behavior:

- Shut off the engine and wait until the chain comes to a complete standstill.
- Check condition
- Check sharpness.

Do not touch the chain while the engine is running. If the chain becomes jammed by an obstruction, switch off the engine immediately before attempting to remove the obstruction.

**To reduce the risk of injury**, shut off the engine before changing the saw chain.

**To reduce the risk of fire, do not smoke** while operating or standing near your power tool. Note that combustible fuel vapor may escape from the fuel system.

If your power tool is subjected to unusually high loads for which it was not designed (e.g. heavy impact or a fall), always check that it is in good condition before continuing work – see also "Before Starting". Check the fuel system in particular for leaks and make sure the safety devices are working properly. Do not continue operating your power tool if it is damaged. In case of doubt, have the machine checked by your servicing dealer.

Make sure the idle speed setting is correct. The chain must not run when the engine is idling with the throttle trigger released. Check and correct the idle speed setting at regular intervals. If the saw chain still moves, have your dealer check your machine and make proper adjustments or repairs.

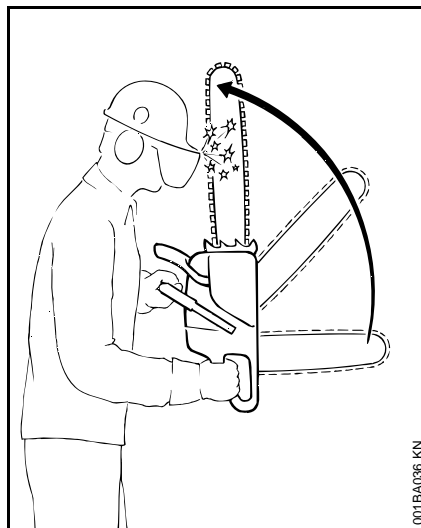
### Reactive Forces

The most common reactive forces that occur during cutting are: kickback, pushback and pull-in.

### Dangers of kickback

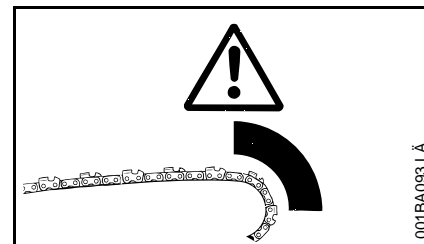


Kickback can result in serious or fatal injury.



Kickback occurs when the saw is suddenly thrown up and back in an uncontrolled arc towards the operator.

### Kickback occurs, e.g.



- when the upper quadrant of the bar nose unintentionally contacts wood or another solid object, e.g. when another limb is touched accidentally during limbing.
- when the chain at the nose of the guide bar is pinched in the cut.

### Quickstop chain brake:

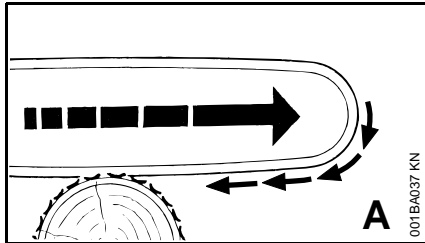
This device reduces the risk of injury in certain situations – it cannot prevent kickback. If activated, the brake stops the saw chain within a fraction of a second – for a description of this device refer to chapter on "Chain Brake" in this manual.

### To reduce the risk of kickback

- Work cautiously and avoid situations which could cause kickback.
- Hold the saw firmly with both hands and maintain a secure grip.
- Always cut at full throttle.
- Be aware of the location of the guide bar nose at all times.
- Do not cut with the bar nose.
- Take special care with small, tough limbs, they may catch the chain.

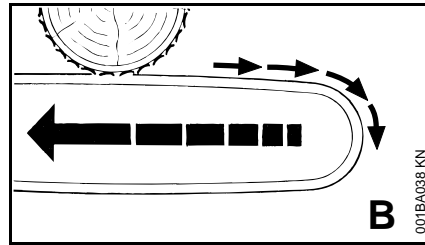
- Never cut several limbs at once.
- Do not overreach.
- Never cut above shoulder height.
- Use extreme caution when re-entering a previous cut.
- Do not attempt plunge cuts if you are not experienced in this cutting technique.
- Be alert for shifting of the log or other forces that may cause the cut to close and pinch the chain.
- Always cut with a correctly sharpened, properly tensioned chain – the depth gauge setting must not be too large.
- Use a low kickback chain and a narrow radius guide bar.

#### Pull-in (A)



Pull-in occurs when the chain on the bottom of the bar is suddenly pinched, caught or encounters a foreign object in the wood. The reaction of the chain pulls the saw forward – **always hold the spiked bumper securely against the tree or limb.**

#### Pushback (B)



Pushback occurs when the chain on the top of the bar is suddenly pinched, caught or encounters a foreign object in the wood. The reaction of the chain drives the saw straight back toward the operator. **To avoid pushback.**

- Be alert to situations that may cause the top of the guide bar to be pinched
- Do not twist the guide bar in the cut.

#### Exercise extreme caution

- with leaners
- with trees that have fallen unfavorably between other trees and are under strain
- when working in blowdown areas.

Do not work with the chainsaw in such circumstances. Use block and tackle, cable winch or tractor.

Pull out exposed and cleared logs. Select clear area for cutting.

**Deadwood** (dry, decayed or rotted wood) represents a considerable risk that is difficult to assess. Identifying the extent of the dangers is complicated, if not impossible. Use aids such as a cable winch or tractor in such cases.

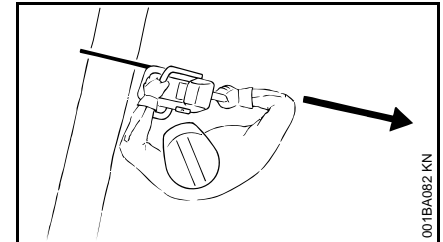
**When felling in the vicinity of roads, railways, power lines, etc.,** take extra precautions. If necessary, inform the police, utility company or railway authority.

#### Cutting

Do not operate your saw with the starting throttle lock engaged. Engine speed cannot be controlled with the throttle trigger in this position.

Work calmly and carefully – in daylight conditions and only when visibility is good. Ensure you do not endanger others – stay alert at all times.

Use the shortest possible guide bar: The chain, guide bar and chain sprocket must match each other and your saw.



Position the saw so that your body is clear of the cutting attachment.

Always pull the saw out of the cut with the chain running.

Use your chain saw for cutting only. It is not designed for prying or shoveling away limbs, roots or other objects.

Do not underbuck freely hanging limbs.



To **reduce the risk of injury**, take special care when cutting shattered wood because of the risk of injury from splinters being caught and thrown in your direction.

Make sure your saw does not touch any foreign materials: Stones, nails, etc. may be flung off, damage the saw chain or cause the saw to kick back unexpectedly.



If on a slope, stand on the uphill side of the log. Watch out for rolling logs.

When working at heights:

- Always use a lift bucket
- Never work on a ladder or in a tree
- Never work on an insecure support
- Do not work above shoulder height
- Never operate your unit with one hand

Begin cutting with the saw at full throttle and engage the spiked bumper firmly in the wood, and then continue cutting.

Never work without the spiked bumper because the saw may pull you forwards and off balance. Always hold the spiked bumper securely against the tree or limb.

Note when reaching the end of a cut that the saw is no longer supported in the kerf. You have to take the full weight of the saw since **it might otherwise go out of control**.

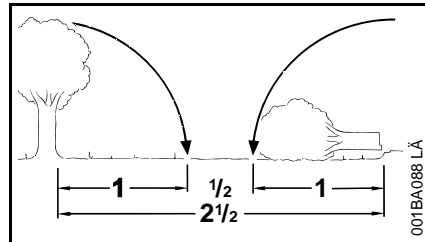
### Felling

Do not attempt felling unless you have been trained in the necessary techniques. **To reduce the risk of accidents and injury**, do not attempt felling or limbing if you are not an experienced chain saw user.

Observe all country-specific regulations on felling techniques.

Check that there are no other persons in the felling area – other than helpers.

Make sure no-one is endangered by the falling tree – the noise of your engine may drown any warning calls.



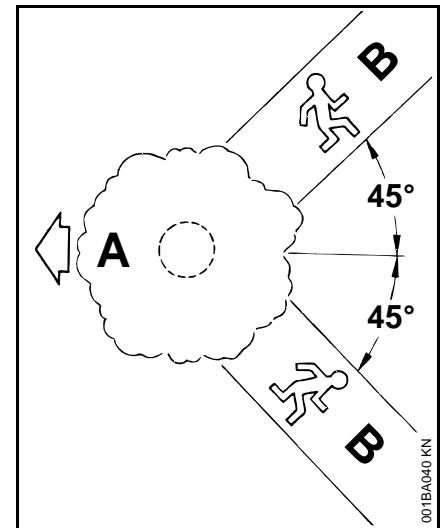
Maintain a distance of at least 2 1/2 tree lengths from the next felling site.

### Determine direction of fall and escape paths

Select gap in stand into which you want the tree to fall.

Pay special attention to the following points:

- The natural lean of the tree
- Any unusually heavy limb structure, damage
- The wind direction and speed – do not fell in high winds
- Sloping ground
- Neighboring trees
- Snow load
- Soundness of tree – take special care if trunk is damaged or in case of deadwood (dry, decayed or rotted wood)



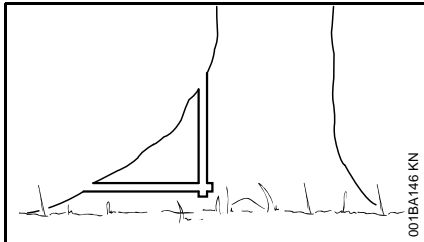
A Direction of fall

## B Escape paths

- Establish paths of escape for everyone concerned – opposite to direction of fall at about 45°.
- Remove all obstacles from escape paths.
- Place all tools and equipment a safe distance away from the tree, but not on the escape paths.
- Always keep to the side of the falling tree and only walk away along the preplanned escape path.
- On steep slopes, plan escape routes parallel to the slope.
- When walking away along the escape path, watch out for falling limbs and watch the top of the tree.

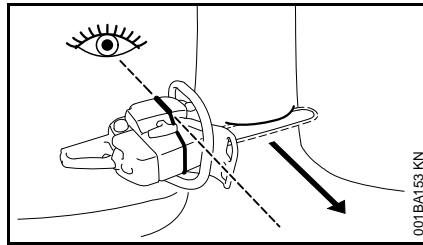
## Preparing work area at base of tree

- First clear the tree base and work area from interfering limbs and brush to provide a secure footing.
- Clean lower portion of tree base (e.g. with an axe) – sand, stones and other foreign objects will dull the saw chain.



- Remove large buttress roots: Make the vertical cut first, then the horizontal – but only if the wood is sound

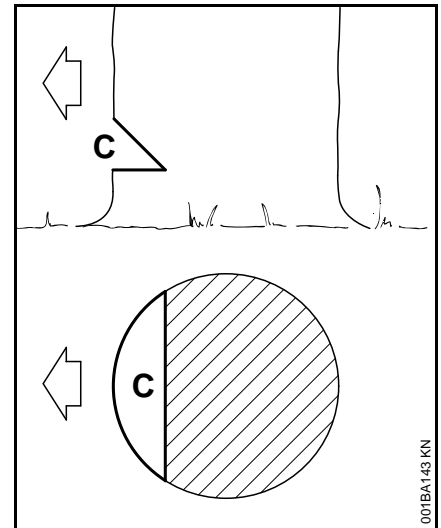
## Felling notch



When making the felling notch, make use of the gunning sight on the shroud and fan housing to check the planned direction of fall.

Position your saw so that the gunning sight points in exactly the direction you want the tree to fall.

There are several approved methods for making the felling notch – observe country-specific regulations on felling techniques.



The felling notch (C) determines the direction of fall.

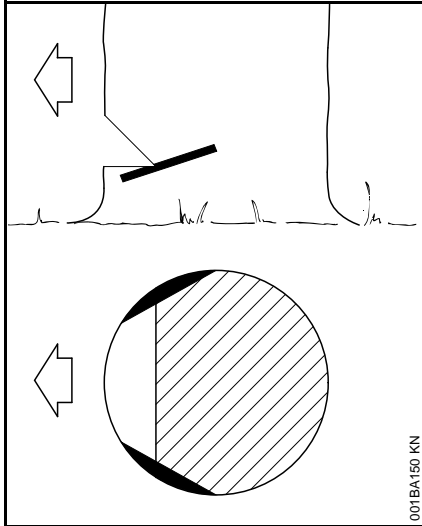
STIHL recommends the following method:

- Make the horizontal cut – check the direction of fall with the gunning sight.
- Make angle cut at about 45°.
- Check the felling notch and correct it if necessary.

Important:

- Felling notch at a right angle to the planned direction of fall.
- As close to the ground as possible.
- Cut to a depth of about 1/5 to 1/3 of the trunk diameter.

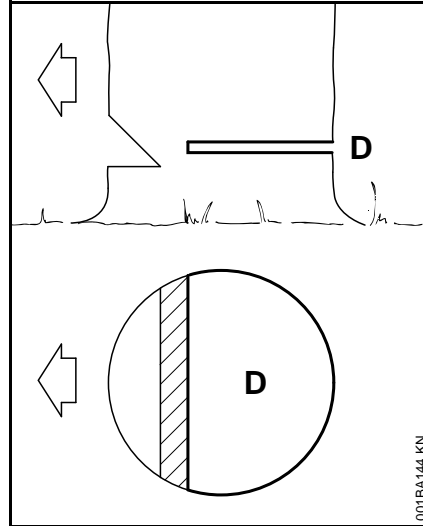
## Sapwood cuts



Sapwood cuts in long-fibered softwood help prevent sapwood splintering when the tree falls. Make cuts at both sides of the trunk at same height as bottom of felling notch to a depth of about 1/10 of trunk diameter. On large diameter trees, cut to no more than width of guide bar.

Do not make sapwood cuts if wood is diseased.

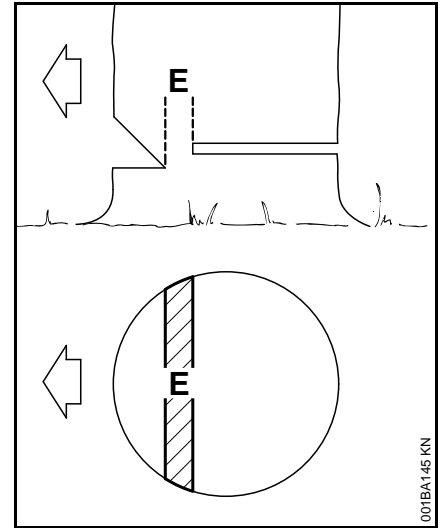
## Felling



Shout a warning before starting the felling cut.

- Make the felling cut (D) slightly higher than bottom of the felling notch.
- Cut horizontally.
- Leave approx. 1/10 of the tree diameter uncut between the felling cut and the felling notch. This is the hinge.

Drive wedges into the felling cut in good time. Use only wooden, aluminum or plastic wedges. Never steel, which can damage the chain and cause kickback.

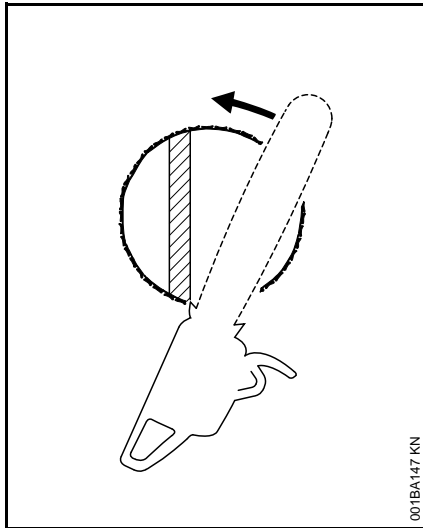


The **hinge** (E) helps control the falling tree.

- Do not cut through the hinge – you could lose control of the direction of fall – **this could result in an accident.**
- Leave a broader hinge on rotten trees.

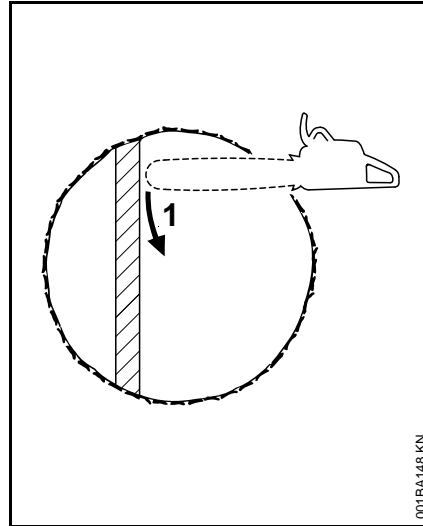
Shout a second warning immediately before the tree falls.

### Small diameter trees: Simple fan cut



- Apply the spiked bumper behind the hinge – pivot the saw around this point - only as far as the hinge. The spiked bumper rolls against the trunk.

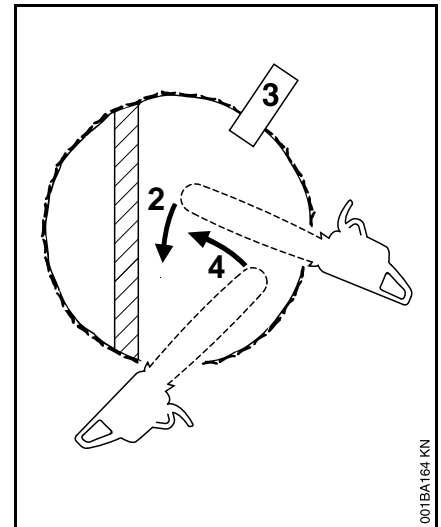
### Large diameter trees: Sectioning method



If the diameter of the tree is greater than the length of the guide bar, use the sectioning method.

#### 1. First cut

Nose of guide bar should enter wood just behind the hinge – hold the saw horizontally and swing it as far as possible, using the bumper spike as a pivot – avoid repositioning the saw more than necessary.



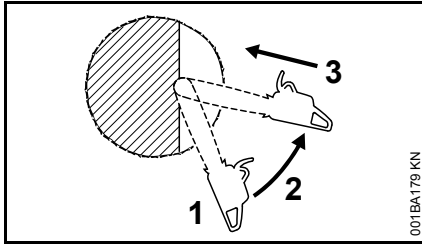
2. When repositioning the saw for the next cut, keep the guide bar fully engaged in the kerf to keep the felling cut straight – apply the spiked bumper again, and so on.
3. Insert a wedge (3) in the cut.
4. Last cut: Apply the spiked bumper as for the simple fan cut – do not cut through the hinge.

#### Special cutting techniques

Plunge cuts and heartwood cuts require special training and experience.

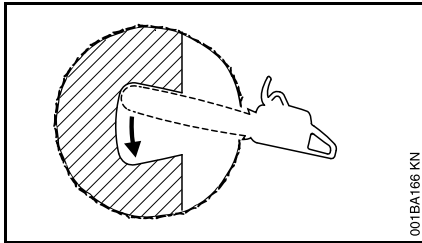
#### Plunge cutting

- For felling leaners
- For relieving cuts during bucking
- For DIY projects



- Use a low kickback chain and exercise particular caution
1. Begin cut by applying the lower portion of the guide bar nose – do not use upper portion because of – **risk of kickback**. Cut until depth of kerf is twice the width of the guide bar.
  2. Swing saw slowly into plunge-cutting position – take care because of the **risk of kickback or pushback**.
  3. Make the plunge cut very carefully. **Danger of pushback.**

#### Heartwood cut



- If tree diameter is more than twice the length of the guide bar.
- If a large portion of heartwood remains uncut on large diameter trees.

- On trees that are difficult to fell (oak, beech), to prevent heartwood splintering and maintain planned direction of fall.
- On soft deciduous trees to relieve tension in lying log and prevent splinters in the center of the hinge being torn out of the log.
- Make the plunge cut in the center of the felling notch – **there is a danger of pushback at this point** – then swing the bar in the direction of the arrow.

#### Limbing

Do not attempt limbing unless you have been trained in the necessary techniques. **To reduce the risk of accidents and injury**, do not attempt felling or limbing if you are not an experienced chain saw user.

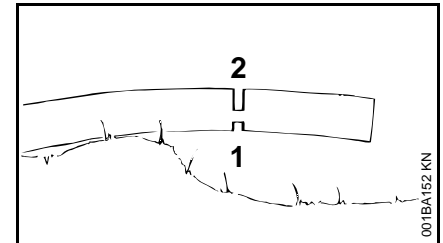
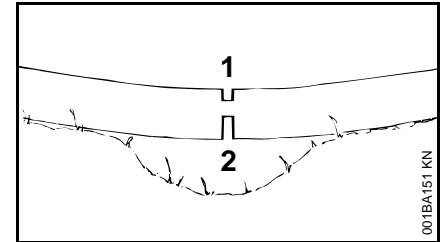
- Use a low kickback chain.
- Work with the saw supported wherever possible.
- Do not stand on the log while limbing it.
- Do not cut with the bar nose.
- Watch for limbs which are under tension.
- Never cut several limbs at once.

#### When cutting small logs

- Use a sturdy and stable support – sawhorse.
- Never hold the log with your leg or foot.
- Never allow another person to hold the log or help in any other way.

#### Lying or standing logs under tension

Always make cuts in the correct sequence (first at the compression side (1), then at the tension side (2), the saw may otherwise pinch or kick back – **risk of injury**).



- Make relieving cut at the compression side (1)
- Make bucking cut at the tension side (2)

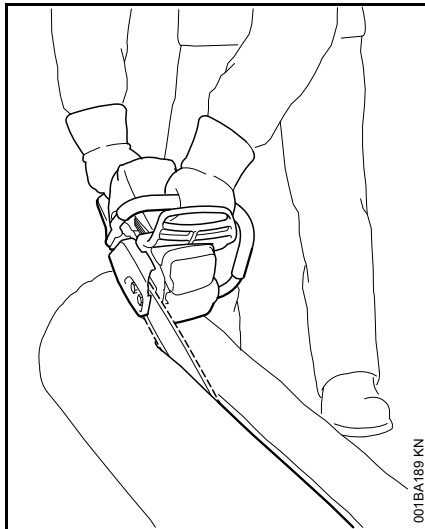
Be wary of **pushback** when making bucking cut from the bottom upwards (underbuck).



Do not cut a lying log at a point where it is touching the ground because the saw chain will otherwise be damaged.

### Ripping cut

---



Cutting technique in which the bumper spike is not used – risk of pull-in – start the cut with the guide bar at the shallowest possible angle – take extra care since there is an increased **danger of kickback**.

### Vibrations

---

Prolonged use of the power tool may result in vibration-induced circulation problems in the hands (whitefinger disease).

No general recommendation can be given for the length of usage because it depends on several factors.

The period of usage is prolonged by:

- Hand protection (wearing warm gloves)
- Work breaks

The period of usage is shortened by:

- Any personal tendency to suffer from poor circulation (symptoms: frequently cold fingers, tingling sensations).
- Low outside temperatures.
- The force with which the handles are held (a tight grip restricts circulation).

Continual and regular users should monitor closely the condition of their hands and fingers. If any of the above symptoms appear (e.g. tingling sensation in fingers), seek medical advice.

### Maintenance and Repairs

---

Service the machine regularly. Do not attempt any maintenance or repair work not described in the instruction manual. Have all other work performed by a servicing dealer.

STIHL recommends that you have servicing and repair work carried out exclusively by an authorized STIHL servicing dealer. STIHL dealers are regularly given the opportunity to attend training courses and are supplied with the necessary technical information.

Only use high-quality replacement parts in order to avoid the risk of accidents and damage to the machine. If you have any questions in this respect, consult a servicing dealer.

STIHL recommends the use of genuine STIHL replacement parts. They are specifically designed to match your model and meet your performance requirements.

To reduce the risk of injury, **always shut off the engine** before carrying out any maintenance or repairs or cleaning the machine. – Exception: Carburetor and idle speed adjustments.

Do not turn the engine over on the starter with the spark plug boot or spark plug removed unless the slide control / stop switch is on **STOP** or **0** since there is otherwise a **risk of fire** from uncontained sparking.

To reduce the **risk of fire**, do not service or store your machine near open flames.

Check the fuel filler cap for leaks at regular intervals.

Use only a spark plug of the type approved by STIHL and make sure it is in good condition – see "Specifications".

Inspect the ignition lead (insulation in good condition, secure connection).

Check the condition of the muffler.

To reduce the **risk of fire and damage to hearing**, do not operate your machine if the muffler is damaged or missing. –

Do not touch a hot muffler since **burn injury** will result.

Vibration behavior is influenced by the condition of the AV elements – check the AV elements at regular intervals.

**Check the chain catcher** and replace it if damaged.

### **Stopping the Engine**

- before checking chain tension.
- before retensioning the chain.
- before replacing the chain.
- before rectifying problems.

**Observe sharpening instructions** – keep the chain and guide bar in good condition at all times for safe and correct handling of the saw. The chain must be properly sharpened, tensioned and well lubricated.

Always change the chain, guide bar and sprocket in good time.

Check condition of clutch drum periodically.

Store fuel and chain lubricant in properly labelled, safety-type canisters only.

When handling gasoline, avoid direct contact with the skin and avoid inhaling fuel vapour – **health risk**.

To reduce the risk of injury, shut off the engine immediately if the chain brake malfunctions – contact your servicing dealer – do not use your power tool until the problem has been rectified (see "Chain Brake").

## Maintenance and Care

The following maintenance intervals apply for normal operating conditions only. If your daily working time is longer or operating conditions are difficult (very dusty work area, resin-rich wood, tropical wood, etc.), shorten the specified intervals accordingly. If you only use the saw occasionally, extend the intervals accordingly.		before starting work	after finishing work or daily	after each refueling stop	weekly	monthly	every 12 months	if problem	if damaged	if required
Complete machine	Visual inspection (condition, leaks)	X		X						
	Clean		X							
Throttle trigger, trigger lockout, choke lever, stop switch, Master Control lever (depending on version)	Check operation	X		X						
Chain brake	Check operation	X		X						
	Have checked by dealer <sup>1)</sup>									X
Pickup body/filter in fuel tank	Check					X				
	Clean, replace filter element					X		X		
	Replace						X		X	X
Fuel tank	Clean					X				
Chain oil tank	Clean					X				
Chain lubrication	Check	X								
Saw chain	Inspect, also check sharpness	X		X						
	Check chain tension	X		X						
	Sharpen									X
Guide bar	Check (wear, damage)	X								
	Clean and turn over									X
	Deburr				X					
	Replace								X	X
Chain sprocket	Check				X					
Air filter	Clean							X		X
	Replace								X	
Antivibration elements	Check	X						X		
	Have replaced by dealer <sup>1)</sup>								X	

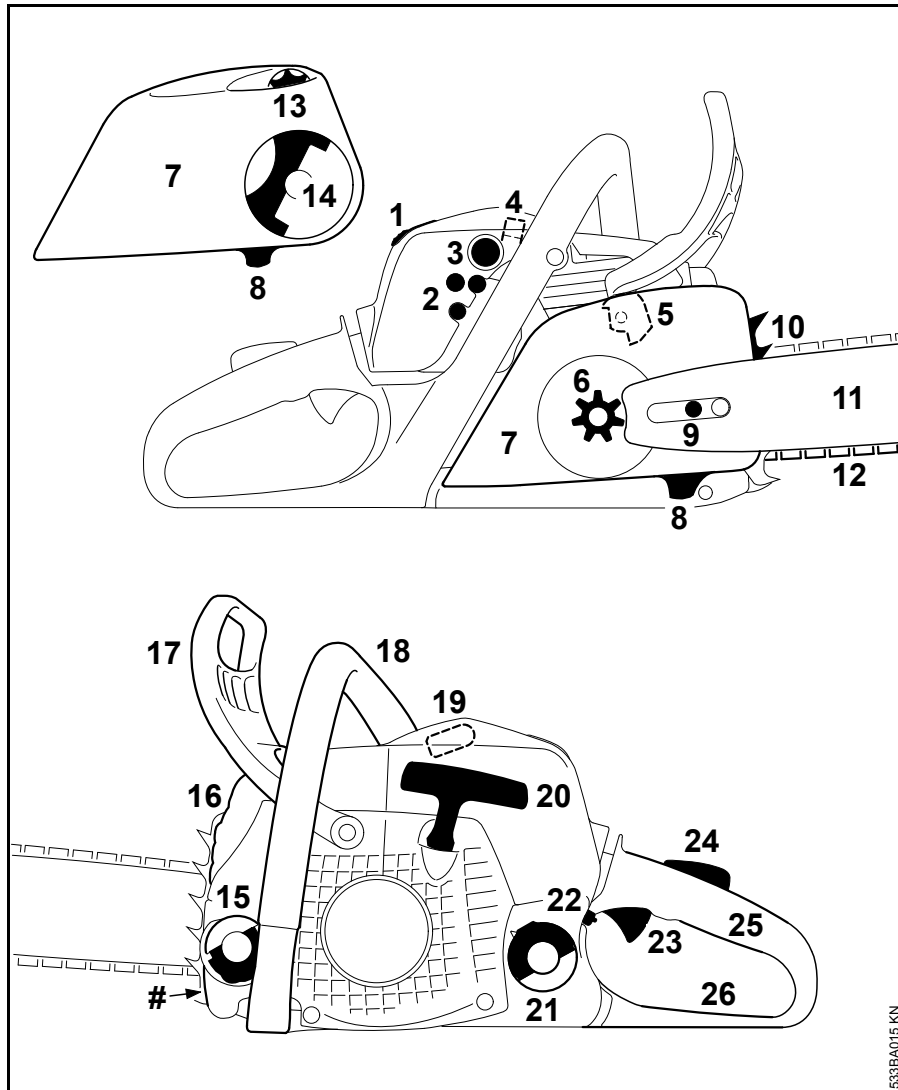


The following maintenance intervals apply for normal operating conditions only. If your daily working time is longer or operating conditions are difficult (very dusty work area, resin-rich wood, tropical wood, etc.), shorten the specified intervals accordingly. If you only use the saw occasionally, extend the intervals accordingly.		before starting work	after finishing work or daily	after each refueling stop	weekly	monthly	every 12 months	if problem	if damaged	if required
Cooling inlets	Clean		X							
Cylinder fins	Clean		X			X				
Carburetor	Check idle adjustment – chain must not rotate	X		X						
	Readjust idle									X
Spark plug	Readjust electrode gap							X		
	Replace after 100 hours of operation									
All accessible screws and nuts (not adjusting screws) <sup>2)</sup>	Retighten									X
Spark arresting screen in muffler (not all markets)	Check <sup>1)</sup>							X		
	Clean, replace if necessary <sup>1)</sup>								X	
Chain catcher	Check	X								
	Replace								X	
Safety labels	Replace								X	

<sup>1)</sup> STIHL recommends a STIHL servicing dealer.

<sup>2)</sup> Firmly tighten down the cylinder base screws of professional saws (3.4 kW or more) after 10 to 20 hours of operation.

## Main Parts



- 1 Shroud slide
- 2 Carburetor adjusting screws
- 3 Fuel pump (Easy Start<sup>1)</sup>)
- 4 Slide (summer operation/ winter operation, MS 211 only)
- 5 Chain brake
- 6 Chain sprocket
- 7 Chain sprocket cover
- 8 Chain catcher
- 9 Side chain tensioner
- 10 Bumper spike
- 11 Guide bar
- 12 Oilomatic saw chain
- 13 Adjusting wheel (quick tensioner)
- 14 Wings of the wing nut<sup>1)</sup> (quick tensioner)
- 15 Oil filler cap
- 16 Muffler
- 17 Front hand guard
- 18 Front handle (handlebar)
- 19 Spark plug boot
- 20 Starter grip
- 21 Fuel tank twist lock
- 22 Master Control lever
- 23 Throttle trigger
- 24 Throttle trigger interlock
- 25 Rear handle
- 26 Rear hand guard
- # Serial number

1) According to version



0457-184-0121

englisch



[www.stihl.com](http://www.stihl.com)



0457-184-0121